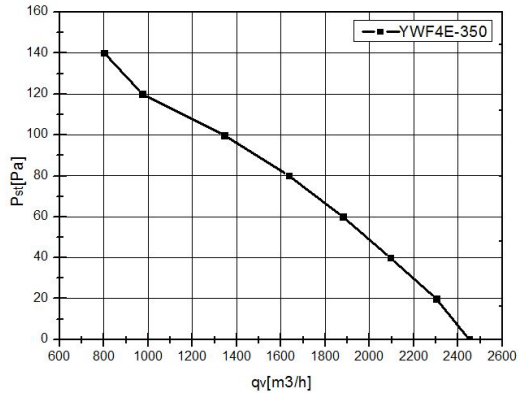
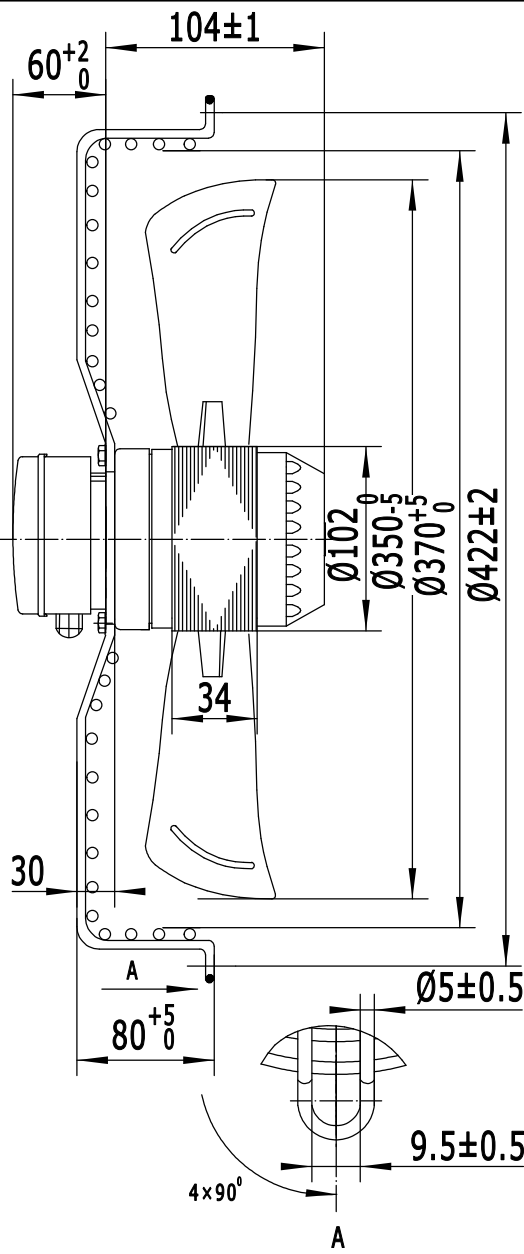


DRAWING NO

FAN CURVE:



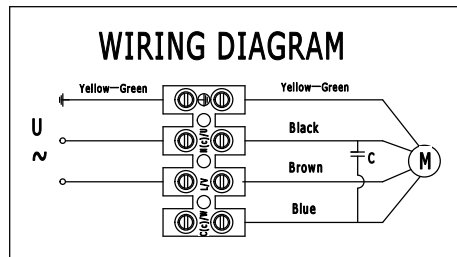
sucking
Direction of airflow "S"



LABEL:

WEIGUANG® Axial Fan Motor
YWF4E-350S-102/34-G
 220V 50Hz 0.65A 69/129W 1400r/min
 4 μ F/450V CL.B XX/XX **CE**

Wiring diagrams:



WEIGUANG® Axial fan motor

HANGZHOU WEIGUANG ELECTRONIC CO.,LTD

Unit: axial fan motor	Type:
Motor: single phase motor with capacitor	Customer:
Motor type: YWF4E-350S-102/34-G	Customer-type:

TYPE	Voltage v	Frequency Hz	Input power W	Current A	Speed r/min +/-5%	Air volume m³/h	noise level dBA	capacitor μ F/ VDB
YWF4E-350S-102/34-G	220	50	129	0.65	1400	2300(20Pa)	64	4 μ F/450V

Insulation class : B	Operating type: S ₁
Permissible ambient temperature : -30~60°C	Temperature increase: ΔT≤75k
Motor protection:thermocontact 135±5°C	Bearings: ball bearings
	License: CE CCC

Model meanings:

YWF 4E-350S-102/34-G

- Asynchronism axial fan motor
- Motor pole
- single Phases
- Fans diameter
- Grid
- The thickness of laminated core
- The diameter of the rotor
- Direction of airflow

Electrical connection: lead wire Silikon 4G 0.50mm², Length 100mm in terminal box connected
 Direction of rotation: clockwise(sucking), Airflow direction: "S" looking at rotor side

APPROX. WEIGHT	
MEANS	

REV.	DESCRIPTION	APPROVED	DATE	DECIMAL	TOLERANCE	SIGN	DATE
				X	±0.5	DRN. BY	
				X.X	±0.25	CHD. BY	
				X.XX	±0.15	ENG. BY	
				ANGLE	±3°	APP. BY	

TITLE **YWF4E-350S-102/34-G**

PROJECTION

A4
SCALE
SHEET: of