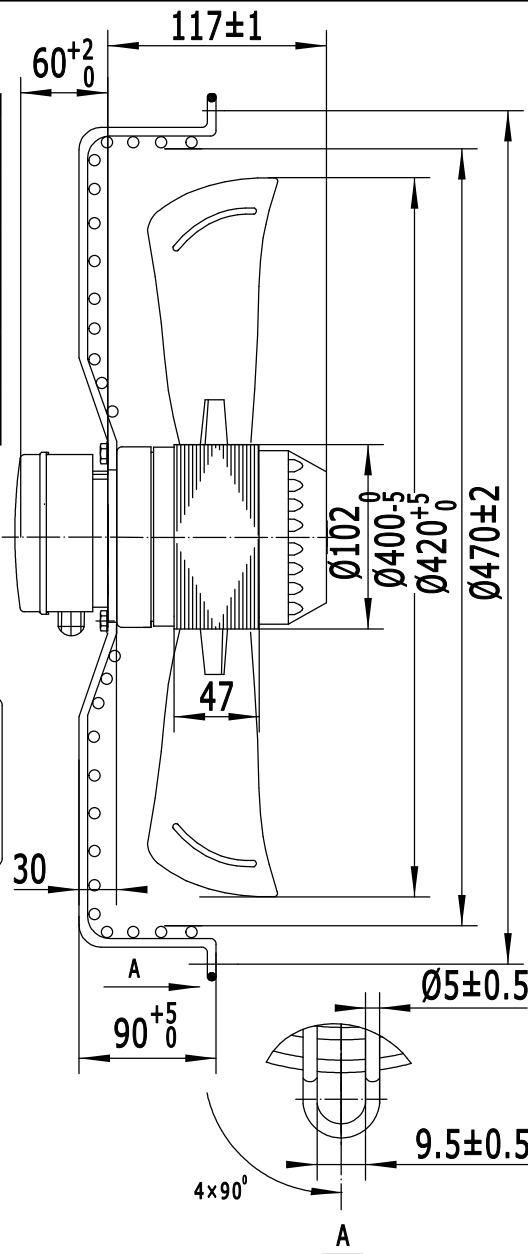
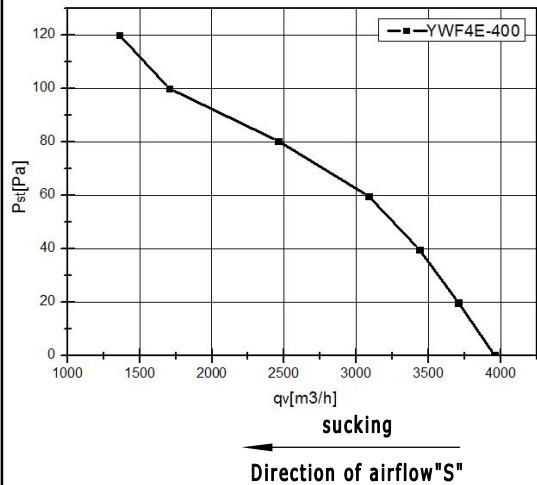


DRAWING NO

FAN CURVE:



**WEIGUANG**® Axial fan motor

HANGZHOU WEIGUANG ELECTRONIC CO.,LTD

Unit: axial fan motor	Type:
Motor: single phase motor with capacitor	Customer:
Motor type: YWF4E-400S-102/47-G	Customer-type:

TYPE	Voltage v	Frequency Hz	Input power W	Current A	Speed r/min +/-5%	Air volume m³/h	noise level dBA	capacitor µ F/ VDB
YWF4E-400S-102/47-G	220	50	180	0.82	1380	3700(20Pa)	67	6 µ F/450V

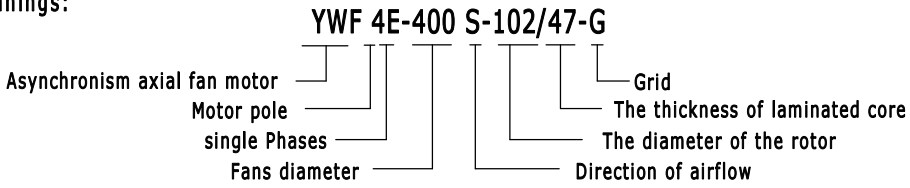
Insulation class : B	Operating type: S <sub>1</sub>
Permissible ambient temperature : -30~60℃	Temperature increase: ΔT≤75k
Motor protection:thermocontact 135±5℃	Bearings: ball bearings
	License: CE CCC

LABEL:

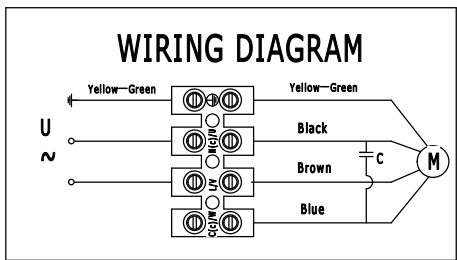
**WEIGUANG**® Axial Fan Motor  
YWF4E-400S-102/47-G

220V 50Hz 0.82A 112/180W  
1380r/min 6 µ F/450V CL.B XX/XX

Model meanings:



Wiring diagrams:



Electrical connection: lead wire Silikon 4G 0.50mm<sup>2</sup>, Length 100mm in terminal box connected  
Direction of rotation: clockwise(sucking), Airflow direction: "S" looking at rotor side

APPROX. WEIGHT	
MEANS	

REV.	DESCRIPTION	APPROVED	DATE	DECIMAL	TOLERANCE	SIGN	DATE	TITLE	
				X	±0.5	DRN. BY		<b>YWF4E-400S-102/47-G</b>	
				X.X	±0.25	CHD. BY			
				X.XX	±0.15	ENG. BY			
				ANGLE	±3°	APP. BY			
								PROJECTION	
								A4	SCALE
								SHEET: of	