

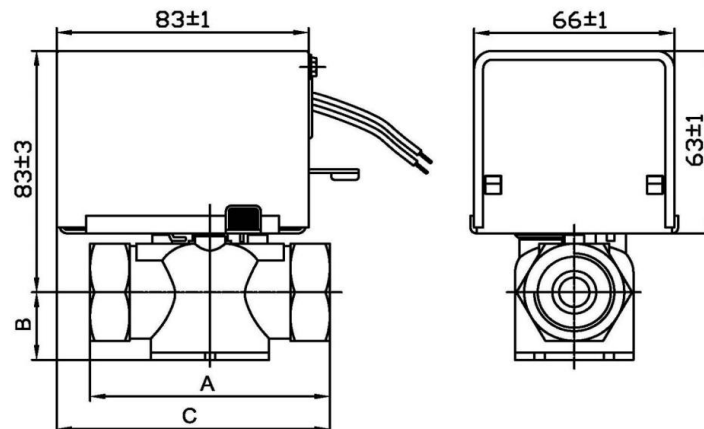


Motorised Valve

- 1 Voltage : 220VAC \pm 10% 50/60HZ
- 2 Power : 6.5W
- 3 Pressure : 290-300 PSI
- 4 Valve Action Time : Turn on \leq 13s Turn off \leq 17s
- 5 Ambient temperature: 0-50°C/60°C
Fluid temperature: 0-94°C
- 6 Model, specification, form and flow capacity are as follows :

Model	Caliber	Form	Kv(Cv)	Allowable Pressure Differential (MPA)
DF/F-01-215	1/2"(15mm)	Normally closed two way	2.2(2.5)	0.20
DF/F-01-220	3/4"(20mm)	Normally closed two way	3.0(3.5)	0.18
DF/F-01-225	1"(25mm)	Normally closed two way	6.9(8.0)	0.15

7 Dimensions



Model	A	B	C
DF/F-01-215	70 \pm 1	23 \pm 1	86 \pm 1
DF/F-01-220	79 \pm 1	23 \pm 1	90 \pm 1
DF/F-01-225	88 \pm 1	23 \pm 1	95 \pm 1